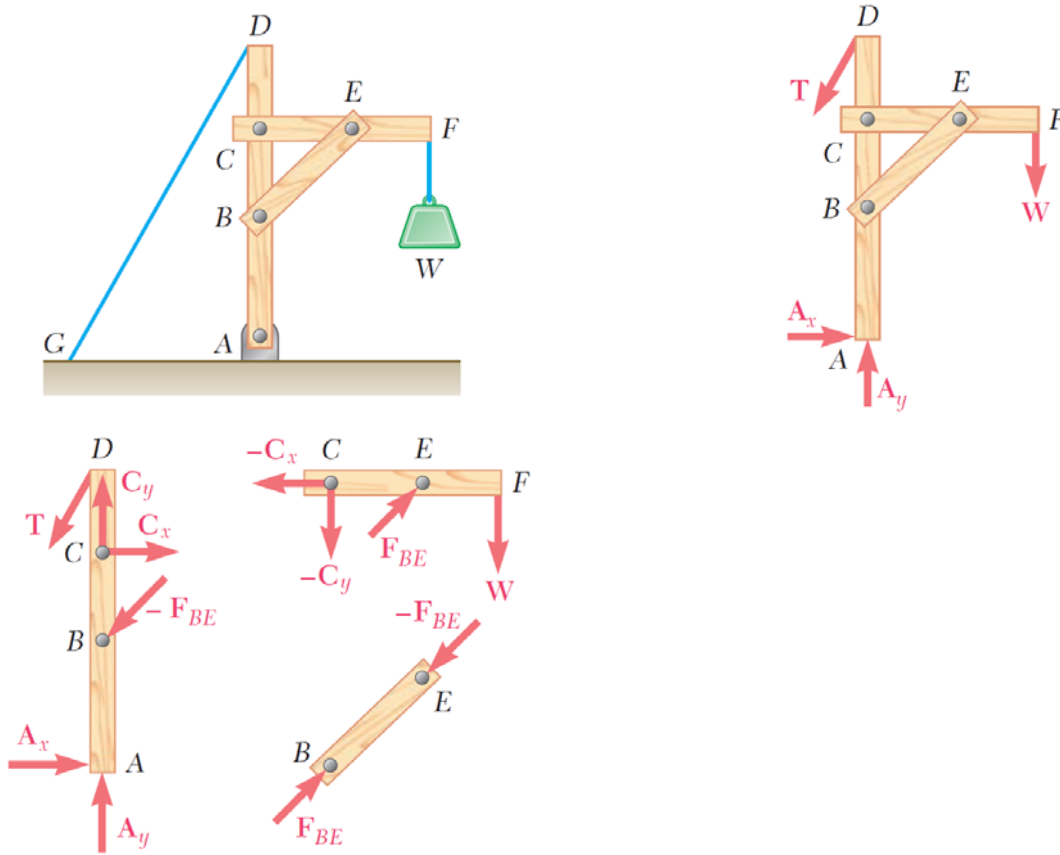
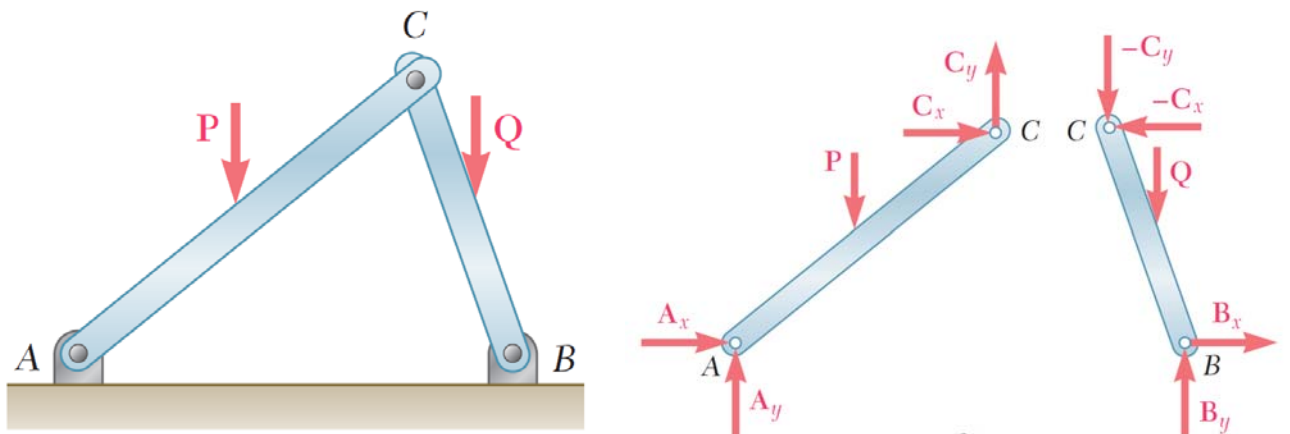


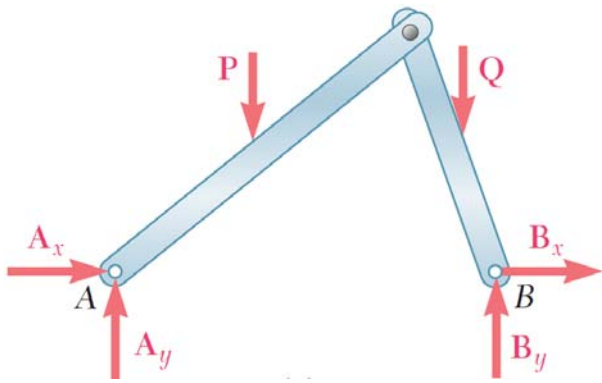
Draw the free body diagrams of the mechanical systems shown in the figures. (Pictures were taken from the book of STATICS AND MECHANICS OF MATERIALS. Ferdinand P. Beer, E. Russell Johnston, Jr., John T. DeWolf, David F. Mazurek).

Problem 1.

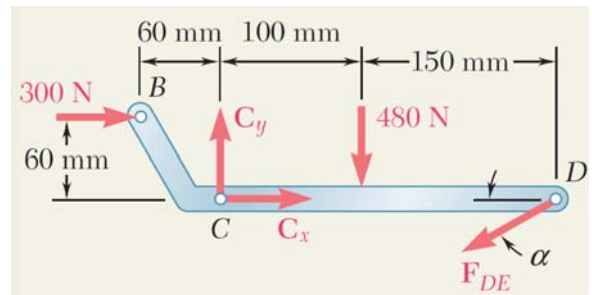
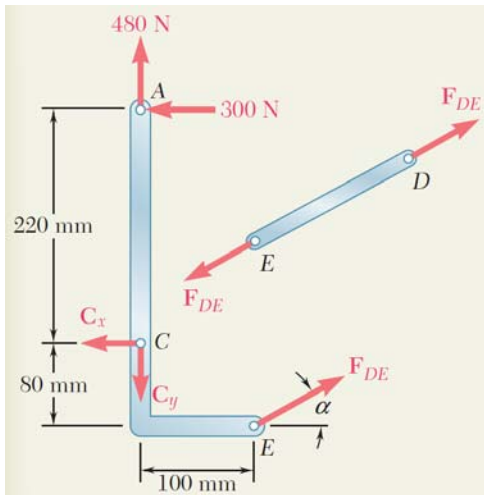
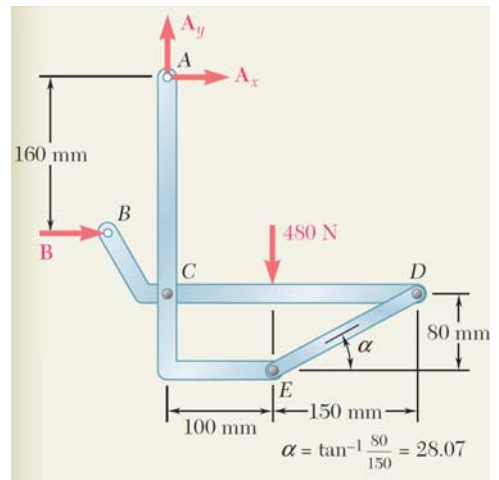
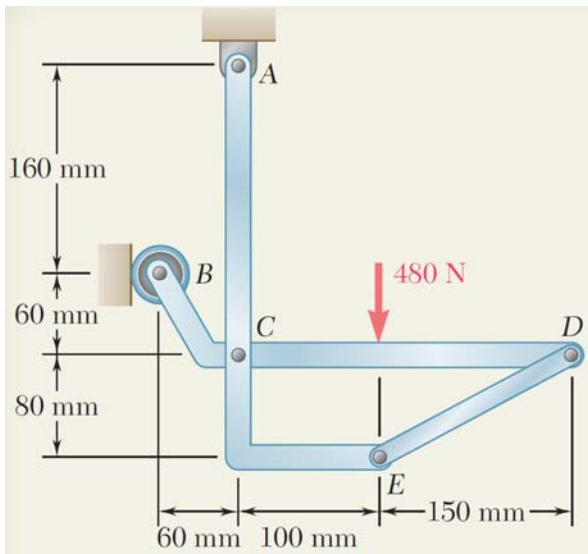


Problem 2.

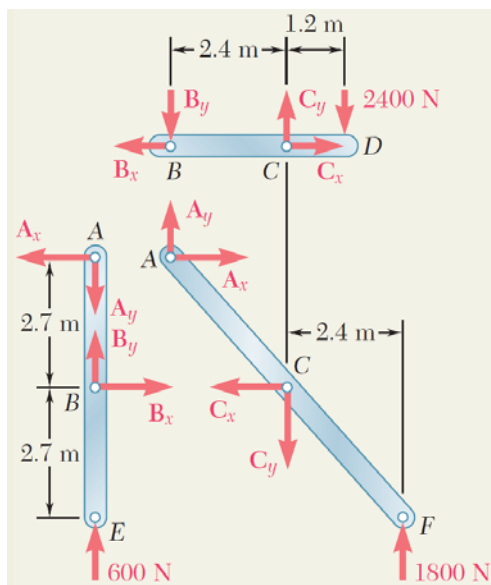
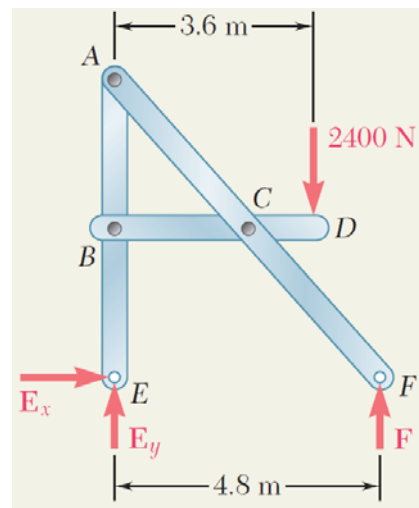
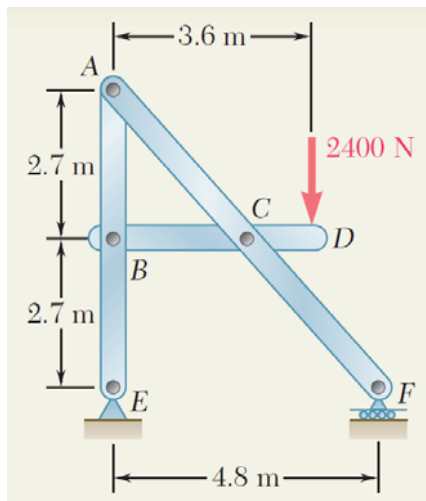




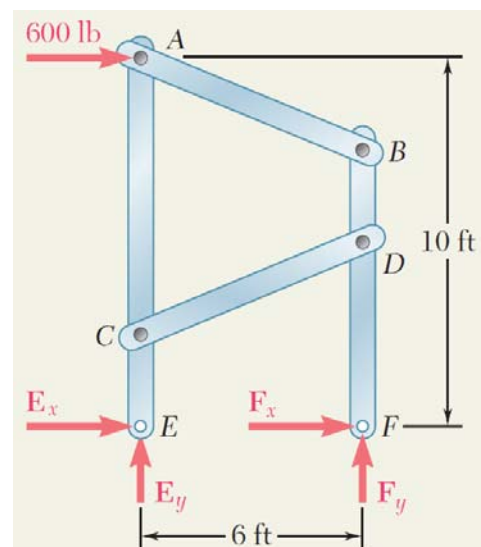
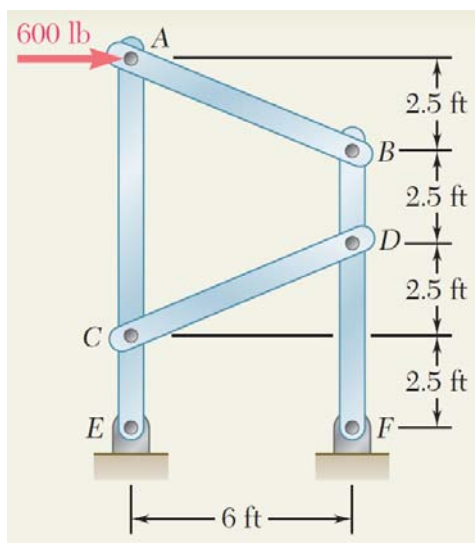
Problem 3.

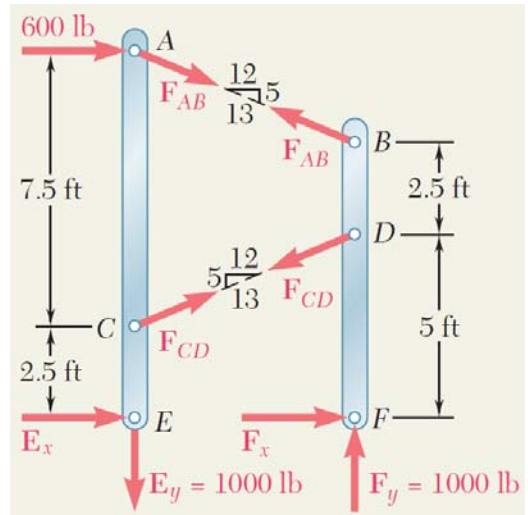
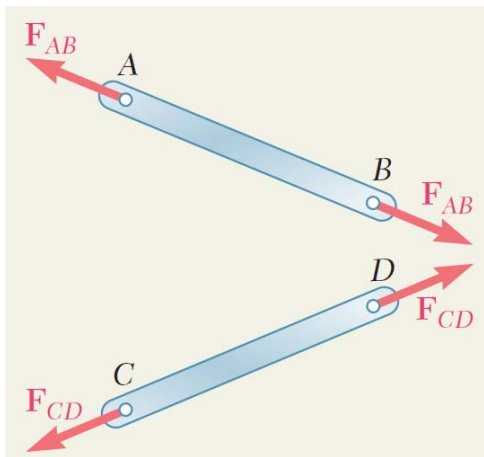


Problem 4.

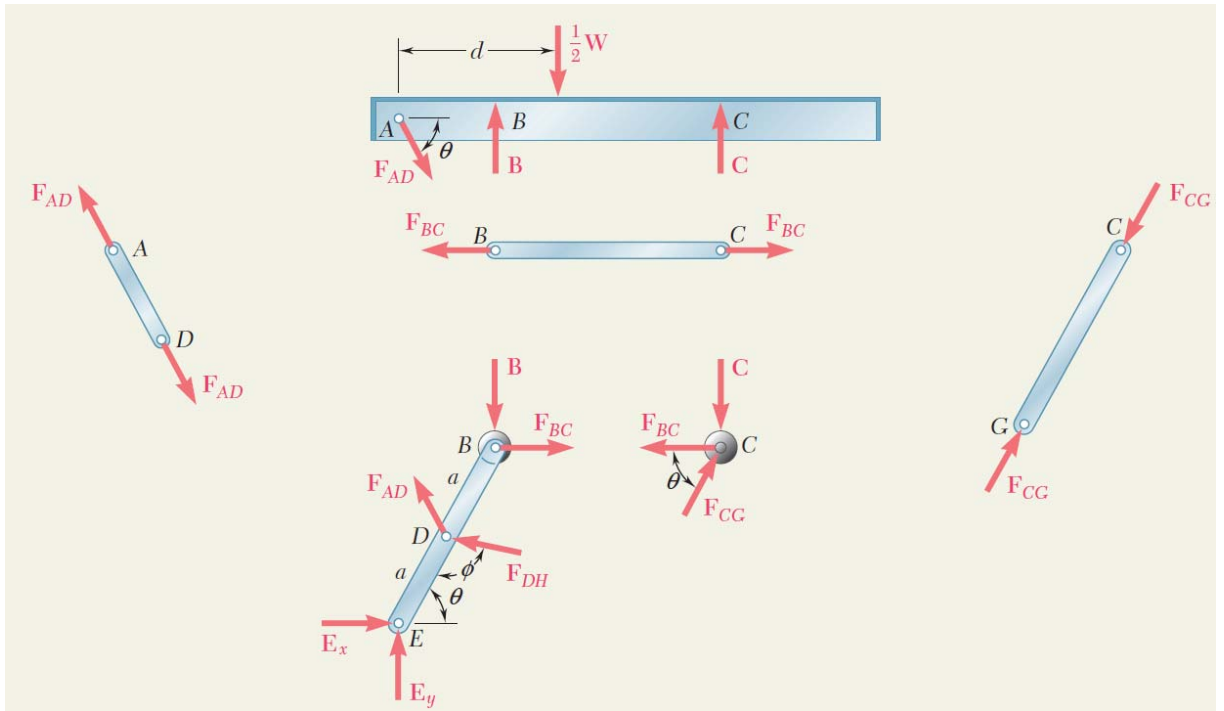
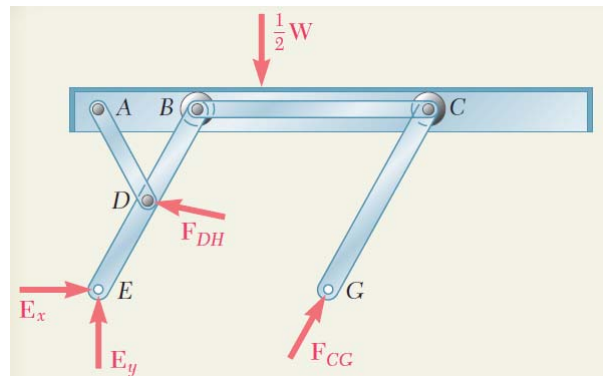
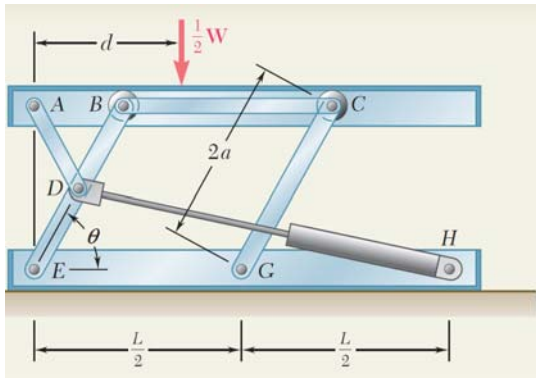


Problem 5.

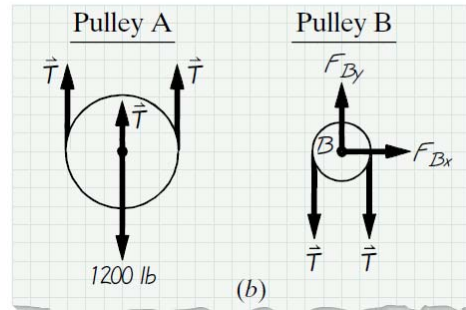
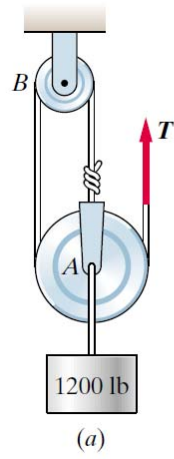




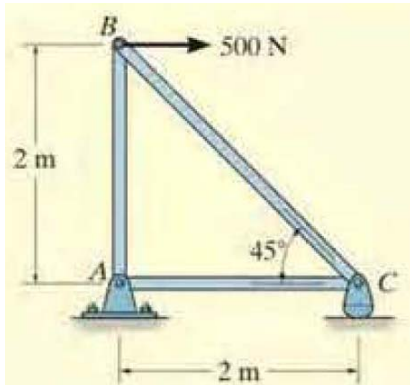
Problem 6.



Problem 7.



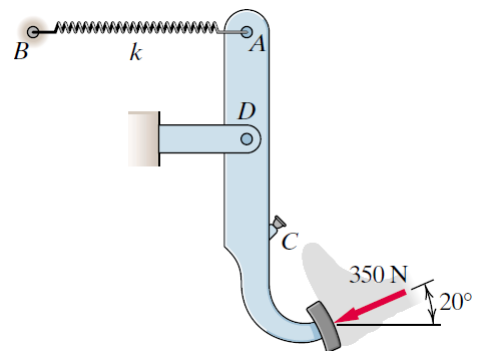
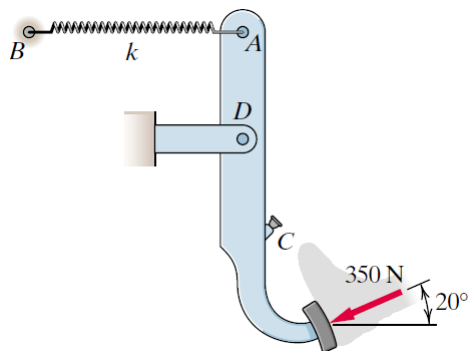
Problem 8.



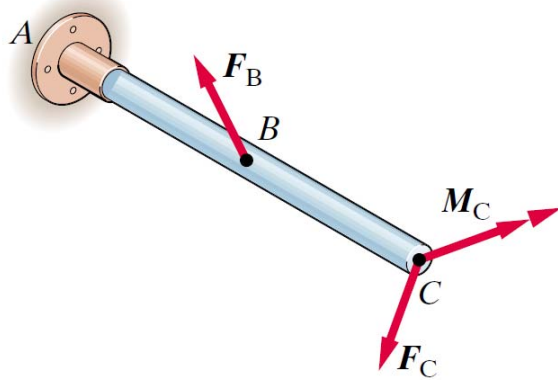
From Engineering Mechanics Statics, R.C. Hibbeler

The following examples are from “Chapter 6. Drawing a free body diagram”

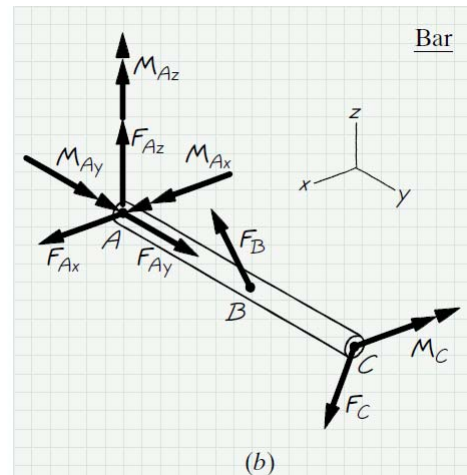
Problem 9.



Problem 10.

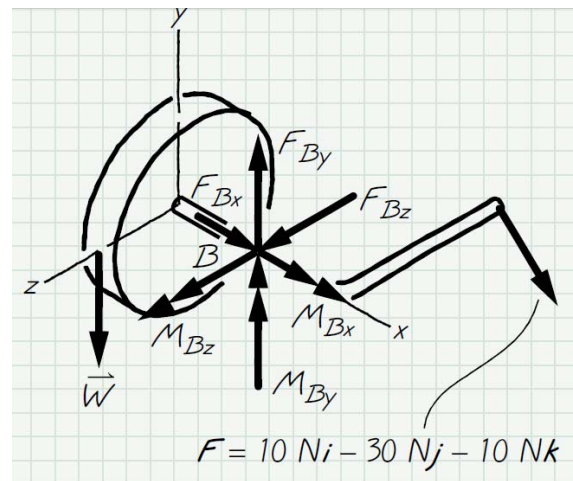
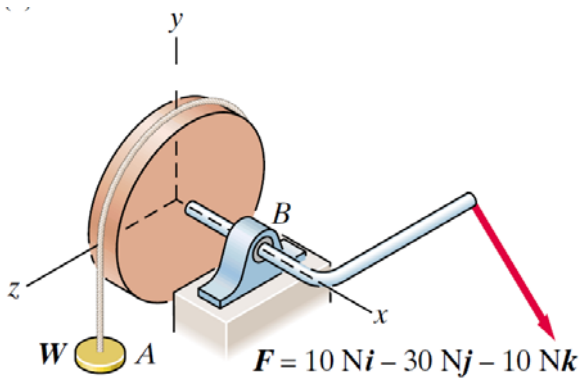


(a)

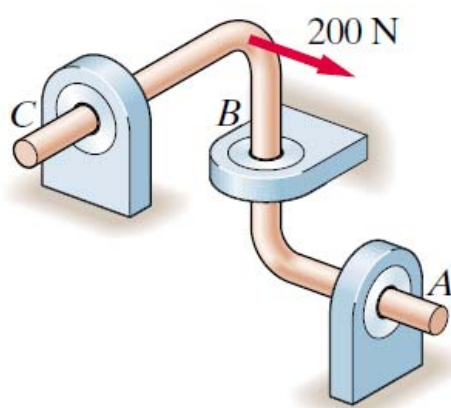


(b)

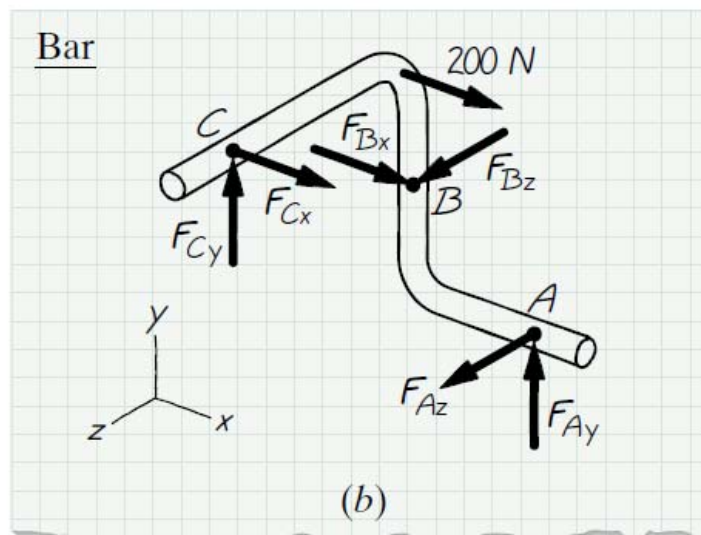
Problem 11.



Problem 12.

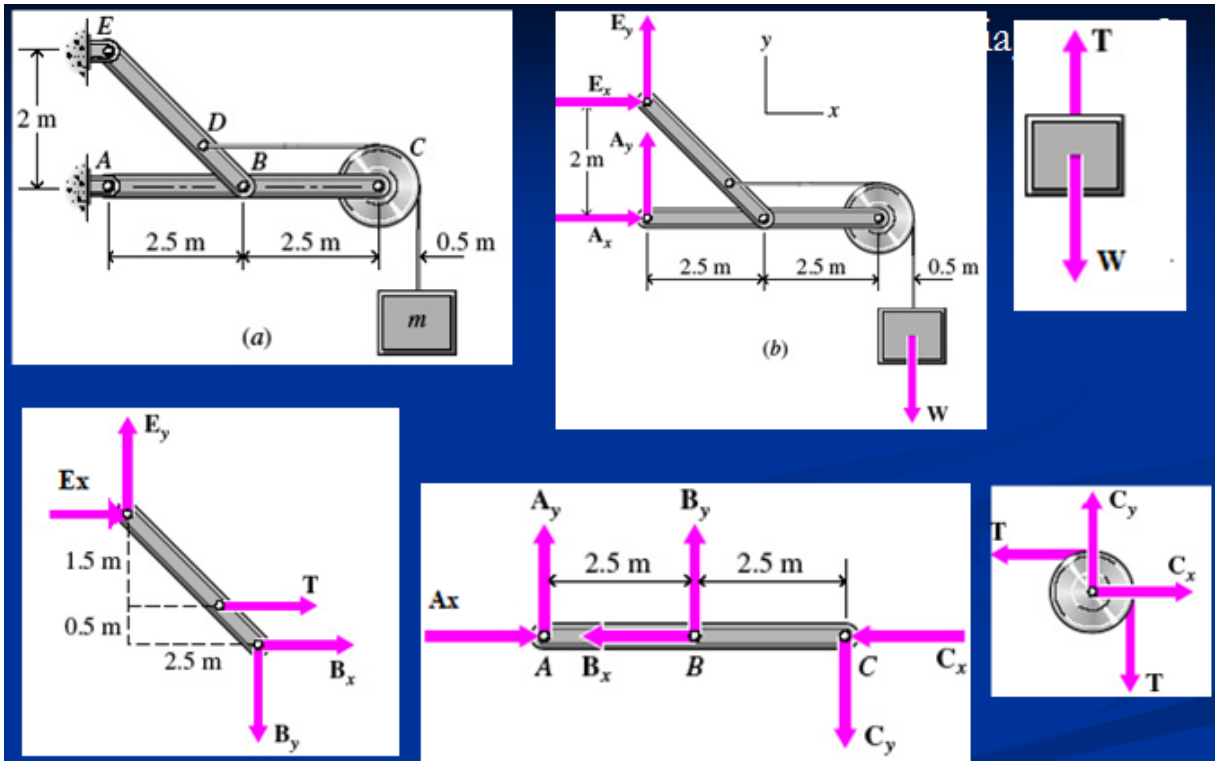


(a)

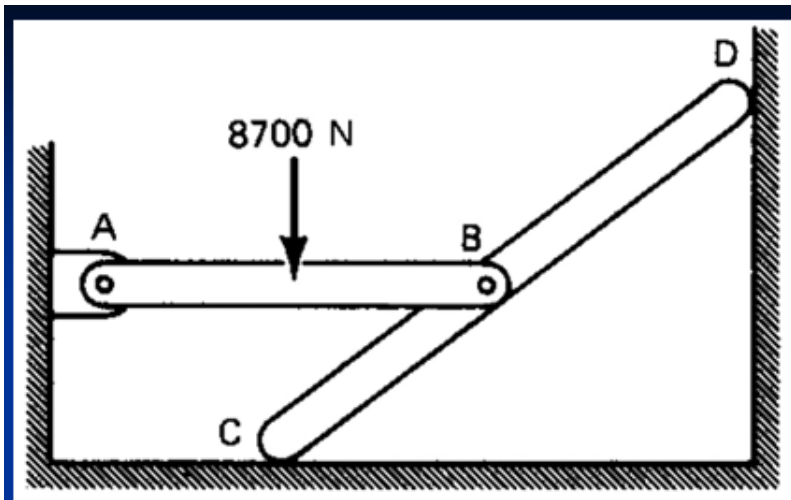


(b)

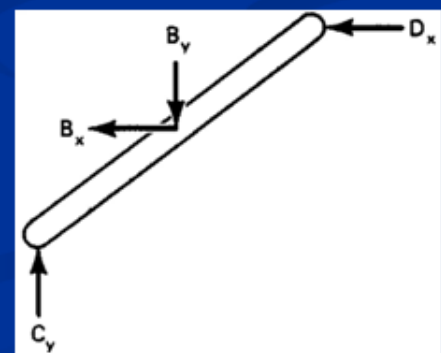
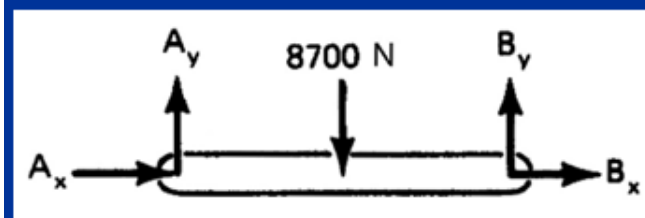
Problem 13.



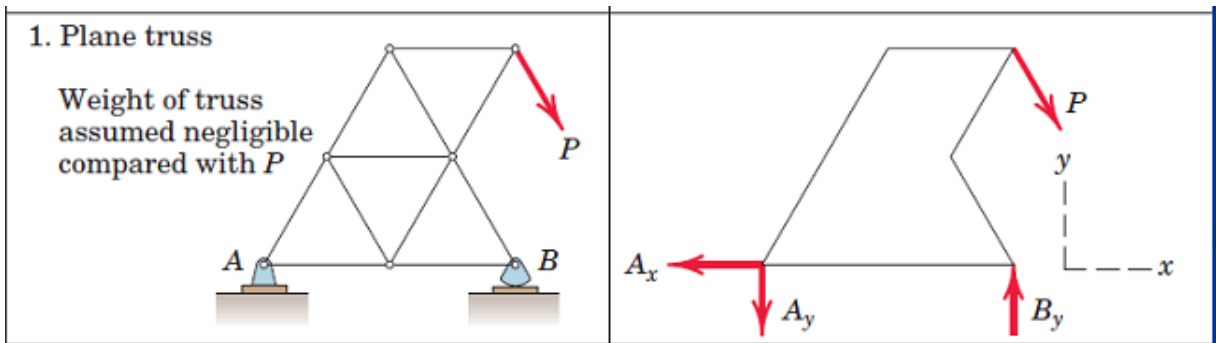
Problem 14



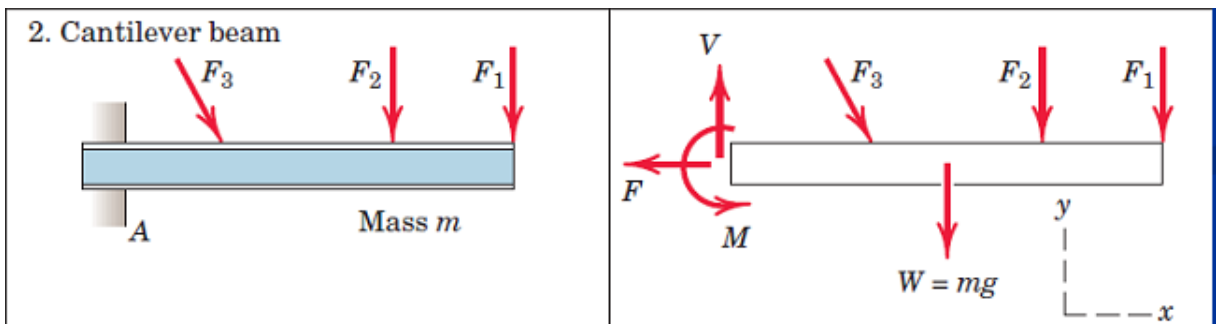
Draw the FBD of *AB* and *CD*.



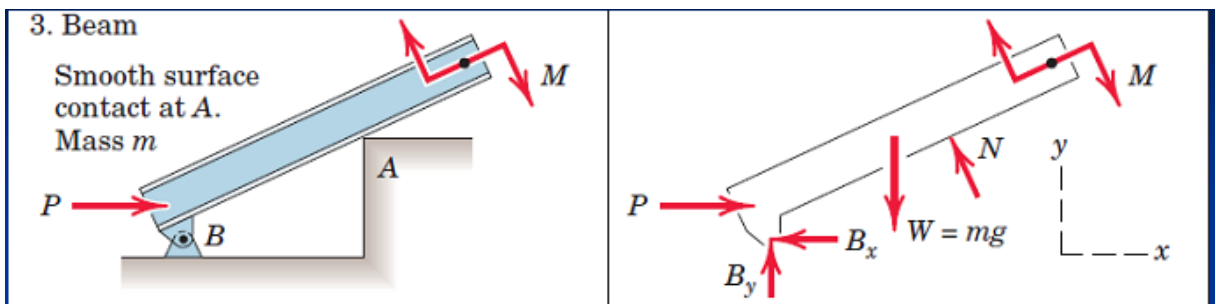
Problem 15



Problem 16



Problem 17



Problem 18

